



Sink - VAIA

Wall-mounted three-hole lavatory mixer without drain - polished chrome

Article number: 36 712 809-00 0010



- 7-1/2" Projection
- Rigid spout
- Round aerated stream
- Valve hole diameter 1-1/2"
- Spout hole diameter 1-5/8"
- Flanges, diameter 2-3/8"
- Water flow rate limited to max. 1.2 gpm
- lead-free
- (ADA)

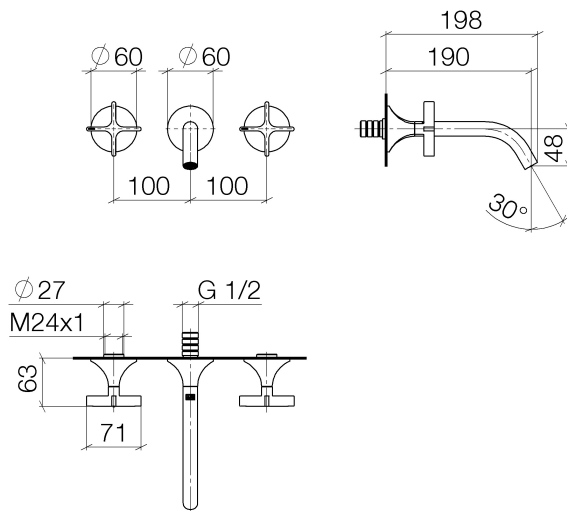


polished chrome



Accessory is required for this item.

Dimensional drawing





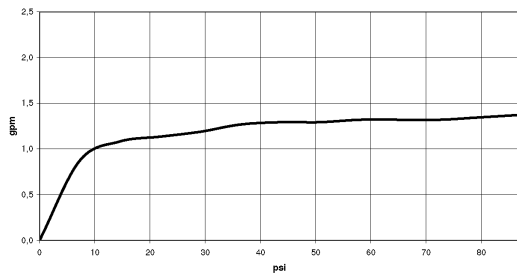
Sink - VAIA

Wall-mounted three-hole lavatory mixer without drain - polished chrome

Article number: 36 712 809-00 0010

All dimensions in mm / inch = mm x 0,0394

Flow rate chart





Sink - VAIA

Wall-mounted three-hole lavatory mixer without drain - polished chrome

Article number: 36 712 809-00 0010

Other surface finishes



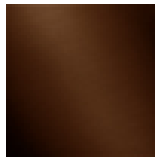
platinum matte

36 712 809-06 0010



Dark Brass matte

36 712 809-16 0010



Dark Bronze matte

36 712 809-17 0010



Dark Platinum matte

36 712 809-99 0010

More custom finish options are available via special production (xTra Service). Please see our finish matrix for availability and pricing or contact a Dornbracht representative.

Required article



35 707 970-90 0010

Rough for wall-mounted faucet spout in center -



35 712 970-90 0010

Rough for wall-mounted faucet flexible positioning -



35 713 970-90 0010

Rough for wall-mounted faucet spout on left -



35 714 970-90 0010

Rough for wall-mounted faucet spout on right -

Spare parts list

Number	Item Number	Designation	Number of units
--------	-------------	-------------	-----------------

